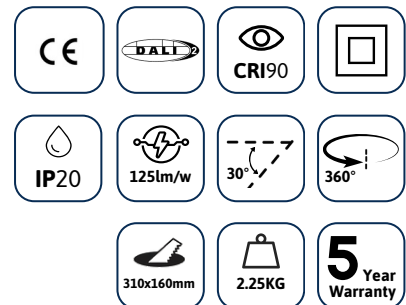




**EDGE**  
LIGHTING

## GIMTEQ DUO

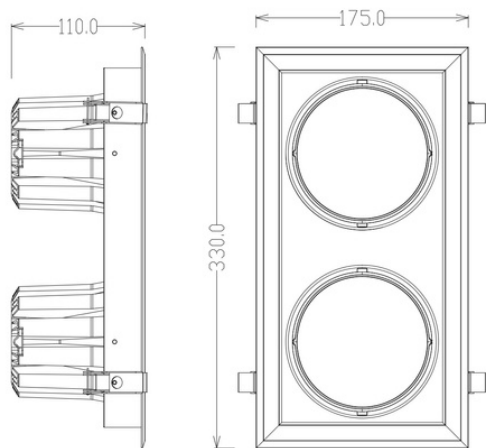
Our Gimteq range features a bi-axial square frame design that allows for unobstructed 360 degree tilting of up to 30 degrees angle, ensuring the targeted merchandise or graphic is always in focus.



### TECHNICAL INFORMATION

<b>Installation</b>	Recessed (R)
<b>Body Colour</b>	White (W) or Black (B)
<b>Dimensions</b>	330mm x 175mm x 110mm
<b>Lumen Output</b>	2x1500lm (26W) 2x2000lm (34W) 2x3000lm (50W) or 2x4500lm (74W)
<b>Colour Temperature</b>	3000K or 4000K
<b>Colour Rendering Index</b>	CRI90
<b>Optical Distribution</b>	Medium Beam (MB)
<b>Ingress Protection</b>	IP20
<b>Controls</b>	Fixed Output (FO), DALI (DD), Q-Sense (QS) or Casambi (CS)
<b>Emergency</b>	-
<b>Accessories</b>	-

## DIMENSIONS



Cut-out



310mm x 160mm

## PRODUCT SHOWCASE



## PRODUCT CODE

**GTD/R/W/2x1500LM/4000K/90/MB/20/DD**

Gimteq Duo, recessed, white finish, 2x1500 lumens, 4000K, CRI90, medium beam, IP20 rated, DALI dimming

SPECIFICATIONS MAY BE ALTERED WITHOUT ADVANCE NOTICE.



Contact us for more information

☎ 020 8687 0190

✉ [sales@edgelighting.co.uk](mailto:sales@edgelighting.co.uk)



**EDGE**  
LIGHTING

[EDGELIGHTING.CO.UK](http://EDGELIGHTING.CO.UK)