

# EDGE LIGHTING

## EMTEQ DISC

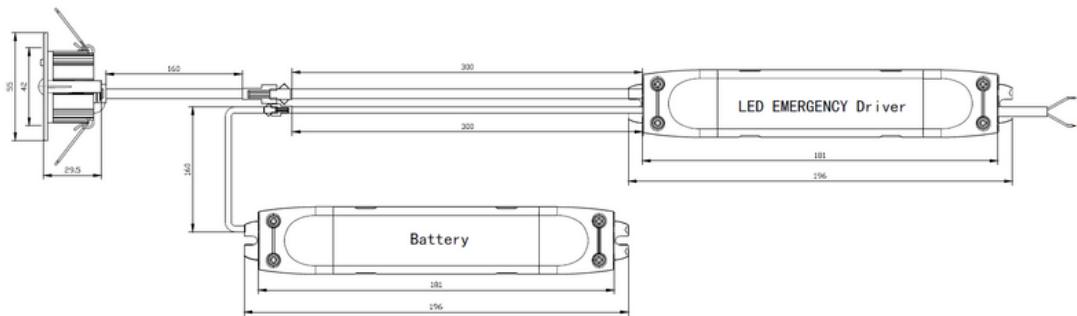
Our most discreet emergency luminaire, the Disc is recessed in suspended ceilings to provide compliance without clutter. Self-test as standard with long lasting lithium batteries for peace of mind.





### TECHNICAL INFORMATION

<b>Installation</b>	Recessed (R)
<b>Body Colour</b>	White (W), Black (B) or Silver (S)
<b>Dimensions</b>	Ø55mm x 30mm
<b>Lumen Output</b>	260lm (3W)
<b>Discharge Duration</b>	3 Hours
<b>Test Mode</b>	Auto Test (AT) or DALI Emergency (EMD)
<b>Optical Distribution</b>	Corridor (CO) and Open Area (OA)
<b>Ingress Protection</b>	IP20
<b>Battery Type</b>	LiFePO4 6.4V 1500mAh
<b>Legends Supplied</b>	-
<b>Accessories</b>	80mm Adapter Plate (EM80P)

## DIMENSIONS



## SPACING TABLE GUIDE (ROUND LENS)

Height (m)		
2	3.5	7.2
2.5	4.4	9
3	5.1	10.3
3.5	5.7	11
4	6.2	12.5
4.5	6.7	13.4
5	7	14.2

## PRODUCT CODE

**EMDISC/R/W/260LM/AT/CO/20**

Emteq Disc, recessed, white finish, 260 lumens, automatic test, corridor, IP20 rated

SPECIFICATIONS MAY BE ALTERED WITHOUT ADVANCE NOTICE.



Contact us for more information

☎ 020 8687 0190

✉ sales@edgelighting.co.uk



**EDGE**  
LIGHTING

EDGELIGHTING.CO.UK