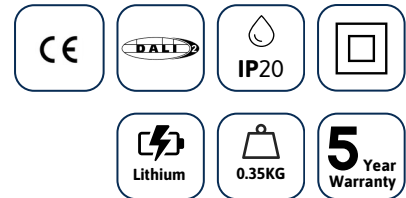




EDGE LIGHTING

EMTEQ BLOQ

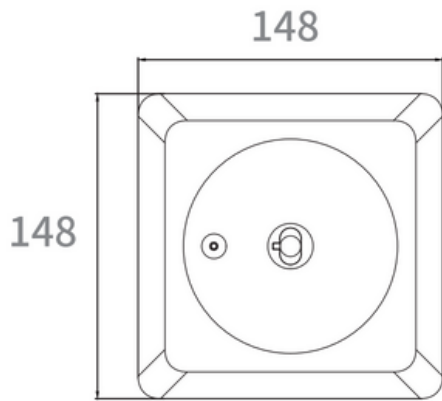
Compact by design in square form for surface mounting onto solid ceilings, the Bloq provides compliance without clutter. Self-test as standard with long lasting lithium batteries for peace of mind.



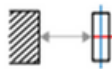

TECHNICAL INFORMATION

Installation	Surface Mounted (SM)
Body Colour	White (W) or Black (B)
Dimensions	148mm x 148mm x 33mm
Lumen Output	240lm (3W)
Discharge Duration	3 Hours
Test Mode	Auto Test (AT) or DALI Emergency (EMD)
Optical Distribution	Corridor (CO) or Open Area (OA)
Ingress Protection	IP20
Battery Type	LiFePO4 6.4V 1500mAh
Legends Supplied	-
Accessories	-

DIMENSIONS



SPACING TABLE GUIDE (ROUND LENS)

Height (m)		
2	6	13.2
2.5	6.5	15
3	6.8	15.8
3.5	7	16.7
4	7.1	17.2
4.5	7.2	17.6
5	7.3	18

PRODUCT CODE

EMBLOQ/SM/W/240LM/AT/OA/20

Emteq Bloq, surface mounted, white finish, 240 lumens, automatic test, open area, IP20 rated

SPECIFICATIONS MAY BE ALTERED WITHOUT ADVANCE NOTICE.



Contact us for more information

☎ 020 8687 0190

✉ sales@edgelighting.co.uk



EDGE
LIGHTING

EDGELIGHTING.CO.UK