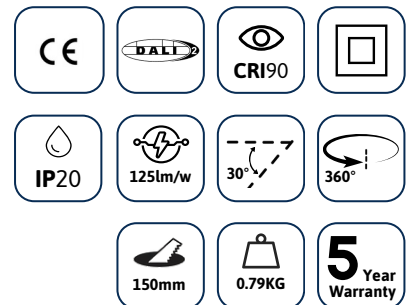




EDGE
LIGHTING

CIRTEQ MONO

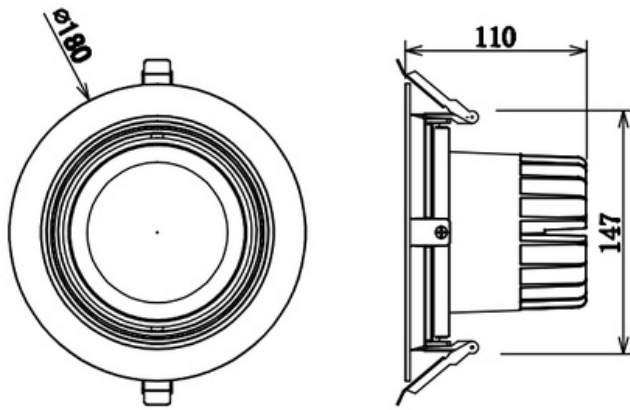
Our Cirteq range features a bi-axial circular frame design that allows for unobstructed 360 degree tilting of up to 30 degrees angle, ensuring the targeted merchandise or graphic is always in focus.



TECHNICAL INFORMATION

| | |
|-------------------------------|--|
| Installation | Recessed (R) |
| Body Colour | White (W) or Black (B) |
| Dimensions | Ø180mm x 110mm |
| Lumen Output | 1500lm (13W), 2000lm (17W), 3000lm (25W) or 4500lm (37W) |
| Colour Temperature | 3000K or 4000K |
| Colour Rendering Index | CRI90 |
| Optical Distribution | Medium Beam (MB) |
| Ingress Protection | IP20 |
| Controls | Fixed Output (FO), DALI (DD), Q-Sense (QS) or Casambi (CS) |
| Emergency | - |
| Accessories | - |

DIMENSIONS



PRODUCT SHOWCASE



PRODUCT CODE

CTM/R/W/2000LM/4000K/90/MB/20/DD

Cirteq Mono, recessed, white finish, 2000 lumens, 4000K, CRI90, medium beam, IP20 rated, DALI dimming

SPECIFICATIONS MAY BE ALTERED WITHOUT ADVANCE NOTICE.



Contact us for more information

☎ 020 8687 0190

✉ sales@edgelighting.co.uk



EDGE
LIGHTING

EDGELIGHTING.CO.UK